

Programmable electronic dosing pump LMI series B9/C9



B9/C9 series programmable electronic dosing pumps feature highly accurate microprocessor Control, employing a clear liquid crystal display and a 4-key tactile keypad.

B9 series

- Maximum output: 26 l/h
- Maximum pressure: 10.3 bar

C9 series

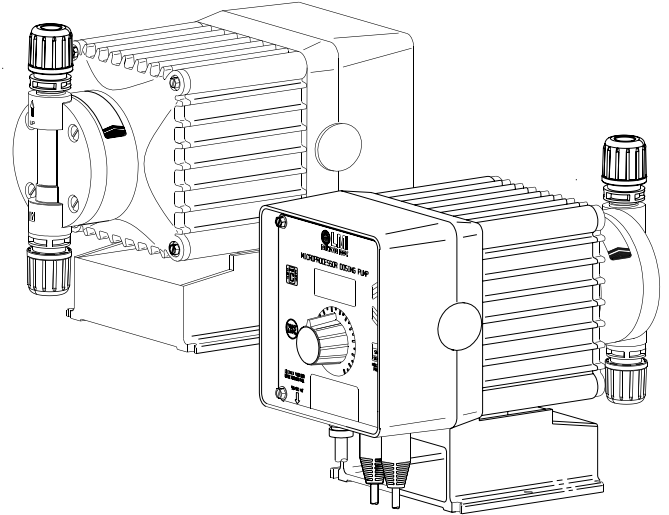
- Maximum output: 76 l/h
- Maximum pressure: 20.7 bar

Main technical specifications

- Maximum temperature of pumped chemical: 50 °C
- Self priming height: 1.5 m
- Accuracy: $\pm 2\%$ of adjusted output
- Adjustable stroke length: 0 to 100%
Recommended minimum: 10%
- **Adjustable pressure capacity**
An LMI exclusive reducing pump noise, shock, vibration, and wear, prolonging pump life.
- **Manual/External mode select**
The manual stroke rate is adjustable from 1 stroke per hour to 100 strokes per minute.
Stroke length adjustment from 10 to 100%.
On-Off external trigger control.
- **Externally triggerable**
By voltage free switch, transistor, opto-coupler or hall effect sensor.
 - Divide incoming pulses from 1 to 999.
 - Multiply incoming pulses 1 to 999.
 - Batch accumulate to 999 strokes.
- **4-20 mA slope adjustable response**
Fully programmable stroke frequency vs. input signal: 0-100 strokes/min vs. 0-20 mA.
- **Flow monitoring and alarm programmable**
In conjunction with LMI's Digi-Pulse™ Flow Monitor (FM-PRO-9), the pumps self-monitor output and provide an alarm signal in case of fault.

Simple rugged construction

- Thick wall glass fiber or carbon fiber reinforced thermoplastic construction plus integrated metal-plastic structural and magnetic components result in vibration and shock resistance not ordinarily found in competitive products.
- Strong automotive type wire and electrical connectors add to its construction strength.



Programmable electronic dosing pump LMI series B9/C9

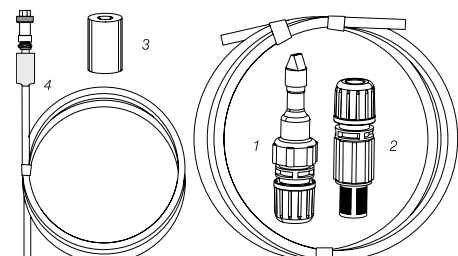
Totally enclosed corrosion resistant IP65

- O-Ring sealed corrosion resistant enclosure of glass fiber reinforced polypropylene protects the pump from harsh chemicals and tough environments.

Complete with accessories

- LMI B9 / C9 dosing pumps come complete with:
 1. injection check valve,
 2. foot valve,
 3. ceramic weight,
 4. external pulse control cable.
- Most models are also available with factory tubing.

ACCESSORIES



All pumps come complete with these accessories.

Specifications

| Model | Output (l/h) max. | Pressure (bar) max. | Liquifram size (Inch ²) | Stroke capacity (ml) | | Frequency (str./h) | | Liquid end body / Seats material | | | | | | Tubing connections | |
|-------|-------------------|---------------------|-------------------------------------|----------------------|-------|--------------------|------|----------------------------------|------------|-----------|---------------------|--------------------------|---------------------------|--------------------|---------|
| | | | | min. | max. | min. | max. | PVC/Aflas | PVDF/Aflas | PVDF/PTFE | Acrylic/Aflas | 316L/PTFE ⁽¹⁾ | High visc. ⁽²⁾ | Inch | Metric |
| B91* | 6.0 | 10.3 | 0.9 | 0.10 | 1.00 | 1 | 6000 | 398XY | 392XY | 393XY | 390XY | 297 | 85HV | .375"OD | 6x8 mm |
| B92* | 9.5 | 6.9 | 0.9 | 0.16 | 1.58 | 1 | 6000 | 398XY | 392XY | 393XY | 390XY | 297 | 85HV | .375"OD | 6x8 mm |
| B93* | 17 | 3.4 | 1.8 | 0.28 | 2.83 | 1 | 6000 | 368XY | 362XY | 363XY | 360XY | 277 | 75HV | .375"OD | 6x8 mm |
| B94* | 26 | 2.0 | 3.0 | 0.44 | 4.42 | 1 | 6000 | 318XY | 312XY | 313XY | 310XY | 27 | 25HV | .500"OD | 9x12 mm |
| C90* | 4.9 | 20.7 | 0.9 | 0.08 | 0.80 | 1 | 6000 | 94S ⁽³⁾ | - | - | - | 297 | - | 1/4"NPTm | - |
| C91* | 9.5 | 10.3 | 1.8 | 0.16 | 1.60 | 1 | 6000 | 368XY | 362XY | 363XY | 360XY | 277 | 75HV | .375"OD | 6x8 mm |
| C92* | 15 | 6.9 | 1.8 | 0.25 | 2.52 | 1 | 6000 | 368XY | 362XY | 363XY | 360XY | 277 | 75HV | .375"OD | 6x8 mm |
| C93* | 30.4 | 4.1 | 3.0 | 0.51 | 5.05 | 1 | 6000 | 318XY | 312XY | 313XY | 310XY | 27 | 25HV | .500"OD | 9x12 mm |
| C94* | 76 | 1.7 | 6.0 | 1.26 | 12.60 | 1 | 6000 | 35T/M ⁽⁴⁾ | - | 32/M | 30/M ⁽³⁾ | 37 | - | .500"OD | 9x12 mm |

* When ordering, specify the voltage code by using one of the following numbers:

- 1 = 115 V, US plug
- 3 = 230 V, EEC plug
- 5 = 230 V, UK plug
- 7 = 230 V, CH plug
- 8 = 115 V, without plug

⁽¹⁾ 1/4" NPTm connection for 277 and 297 - 1/2" NPTm for 27 and 37

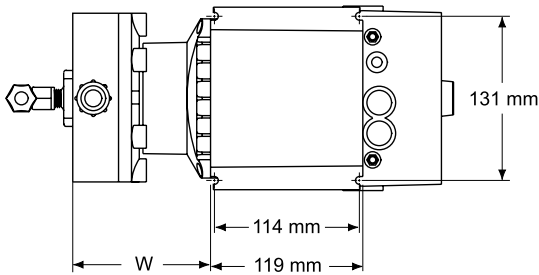
⁽²⁾ .500" OD / 15x23

⁽³⁾ Seats in PTFE

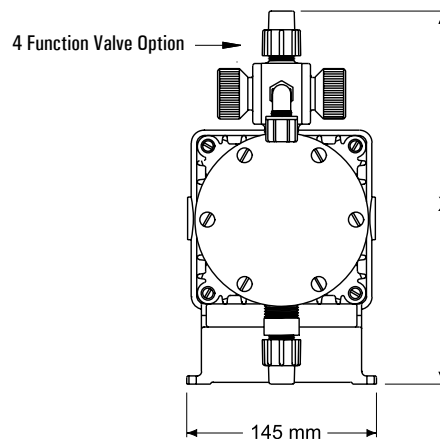
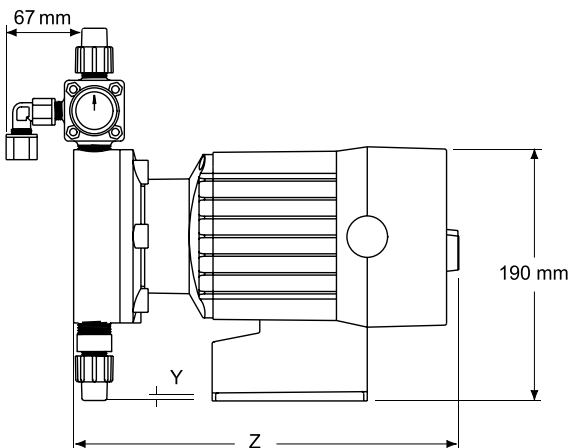
⁽⁴⁾ PP/PTFE

| | | |
|---|---|--|
| X | Y | Refer to liquid end chart for complete option code |
| | ↓ | |
| | 0 | Pipe thread 1/2" BSP |
| | 2 | Inch tubing |
| | 3 | Metric tubing |
| | 4 | Reinforced PVC tubing 6x12 |
| | ↓ | |
| B | | Bleed 4 function valve included |
| N | | No function valve |
| S | | 4 function valve included |
| T | | 3 function valve included |

Dimensions

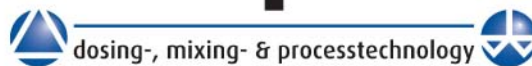


| Dimensions | W | X | Y | Z |
|--|---|-----|------|-----|
| Pump without function valve | 82.5 | 216 | 16.5 | 272 |
| Pump with function valve | 115.5 | 259 | 16.5 | 305 |
| Pump with large head (C74) | 107 | 244 | 0 | 295 |
| High viscosity pump | 90 | 241 | 16.5 | 279 |
| Packings: B = 325 x 235 x 290 mm C = 380 x 235 x 290 mm | Gross Weights: B = 6.9 kg C = 8.7 kg | | | |



Distributed by:

meurs process



• Meurs Process B.V. • Phone +31(0)481 365530
 Manege 11 Fax +31(0)481 365539
 6662 WC Elst info@meursprocess.nl
 The Netherlands www.meursprocess.nl