

# Electronic dosing pump LMI series B7/C7



## B7 series

- Maximum output: 26 l/h
- Maximum pressure: 10.3 bar

## C7 series

- Maximum output: 76 l/h
- Maximum pressure: 20.7 bar

## Main technical specifications

- Mechanically actuated diaphragm electromagnetic pump
- Maximum temperature of pumped chemical: 50 °C
- Self priming height: 1.5 m
- Accuracy:  $\pm 2\%$  of adjusted output
- Adjustable frequency: 5 to 100 spm
- Adjustable stroke length: 0 to 100%  
Recommended minimum: 10%
- Automatic stop by low level switch, optional detector
- Adjustable electronic power control

## Simple rugged construction

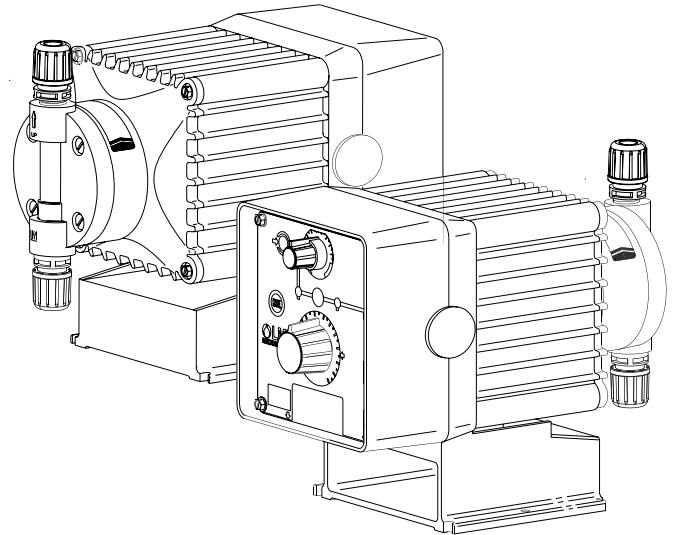
- Thick wall glass fiber or carbon fiber reinforced thermoplastic construction plus integrated metal-plastic structural and magnetic components result in vibration and shock resistance not ordinarily found in competitive products.
- Strong automotive type wire and electrical connectors add to its construction strength.

## Unique features

- Uses LMI's unique molded long life Electromagnetic Power Unit (EPU) with electromagnetically balanced construction.
- Clog resistant injection check valves with flexible flapper nozzle are standard.
- LMI's unique 4-Function Valve or multifunction Auto-Bleed Valve are low cost options.

## Wide variety of applications

- Pump head and valves in PVC, PVDF, Acrylic or 316L S.S. plus designs for high viscosity polymer.
- Ceramic balls and Afias or PTFE seats.
- Composite pump diaphragms of the superior Fluorofilm® assure reliable and leak free operation in a wide variety of chemicals.



Electronic dosing pump LMI series B7/C7

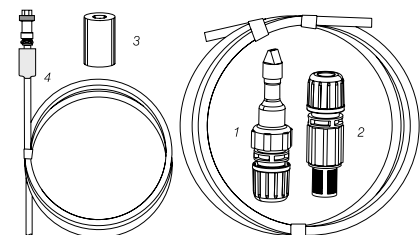
## Totally enclosed corrosion resistant IP65

- O-Ring sealed corrosion resistant enclosure of glass fiber reinforced polypropylene protects the pump from harsh chemicals and tough environments.

## Complete with accessories

- LMI B7 / C7 dosing pumps come complete with:
  1. injection check valve,
  2. foot valve,
  3. ceramic weight,
  4. external control cable.
- Most models are also available with factory tubing.

### ACCESSORIES



All pumps come complete with these accessories.

## Specifications

Model	Output (l/h) max.	Pressure (bar) max.	Liquifram size (inch <sup>2</sup> )	Stroke capacity (ml)		Frequency (spm)		Liquid end body / Seats material						Tubing connections	
				min.	max.	min.	max.	PVC/Aflas	PVDF/Aflas	PVDF/PTFE	Acrylic/Aflas	316L/PTFE <sup>(1)</sup>	High visc. <sup>(2)</sup>	Inch	Metric
B71*	6.0	10.3	0.9	0.10	1.00	5	100	398XY	392XY	393XY	390XY	297	85HV	.375"OD	6x8 mm
B72*	9.5	6.9	0.9	0.16	1.58	5	100	398XY	392XY	393XY	390XY	297	85HV	.375"OD	6x8 mm
B73*	17	3.4	1.8	0.28	2.83	5	100	368XY	362XY	363XY	360XY	277	75HV	.375"OD	6x8 mm
B74*	26	2.0	3.0	0.44	4.42	5	100	318XY	312XY	313XY	310XY	27	25HV	.500"OD	9x12 mm
C70*	4.9	20.7	0.9	0.08	0.81	5	100	94S <sup>(3)</sup>	-	-	-	297	-	1/4"NPTm	-
C71*	9.5	10.3	1.8	0.16	1.58	5	100	368XY	362XY	363XY	360XY	277	75HV	.375"OD	6x8 mm
C72*	15	6.9	1.8	0.25	2.52	5	100	368XY	362XY	363XY	360XY	277	75HV	.375"OD	6x8 mm
C73*	30.4	4.1	3.0	0.51	5.05	5	100	318XY	312XY	313XY	310XY	27	25HV	.500"OD	9x12 mm
C74*	76	1.7	6.0	1.26	12.60	5	100	35T/M <sup>(4)</sup>	-	32/M	30/M <sup>(3)</sup>	37	-	.500"OD	9x12 mm

\* When ordering, specify the voltage code by using one of the following numbers:

- 1 = 115 V, US plug
- 3 = 230 V, EEC plug
- 5 = 230 V, UK plug
- 7 = 230 V, CH plug
- 8 = 115 V, without plug

<sup>(1)</sup> 1/4" NPTm connection for 277 and 297 · 1/2" NPTm for 27 and 37

<sup>(2)</sup> .500" OD / 15x23

<sup>(3)</sup> Seats in PTFE

<sup>(4)</sup> PP/PTFE

X Y Refer to liquid end chart for complete option code

↓

0 Pipe thread 1/2" BSP

2 Inch tubing

3 Metric tubing

4 Reinforced PVC tubing 6x12

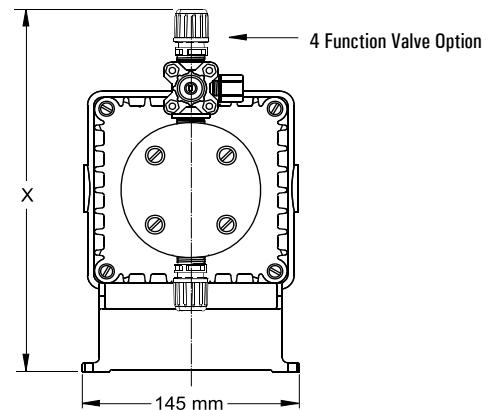
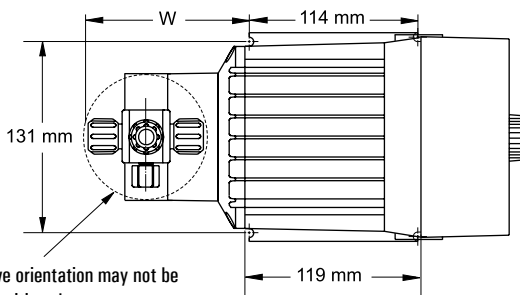
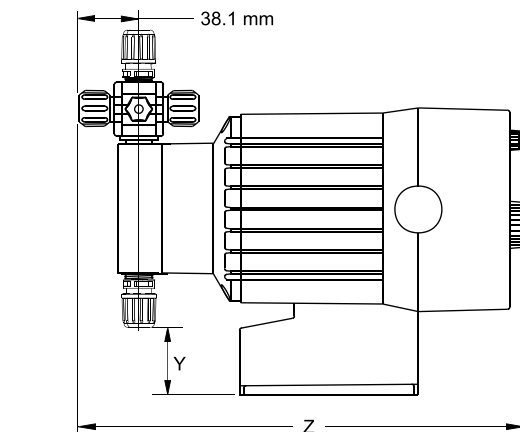
B Bleed 4 function valve included

N No function valve

S 4 function valve included

T 3 function valve included

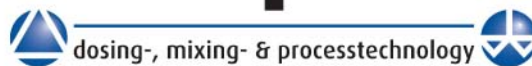
## Dimensions



Dimensions	W	X	Y	Z
Pump without function valve	82.5	216	16.5	272
Pump with function valve	115.5	259	16.5	305
Pump with large head (C74)	107	244	0	295
High viscosity pump	90	241	16.5	279
Packings: B = 325 x 235 x 290 mm C = 380 x 235 x 290 mm	Gross Weights: B = 6.9 kg C = 8.7 kg			

Distributed by:

**meurs process**



• Meurs Process B.V. • Phone +31(0)481 365530  
 Manege 11 Fax +31(0)481 365539  
 6662 WC Elst info@meursprocess.nl  
 The Netherlands www.meursprocess.nl